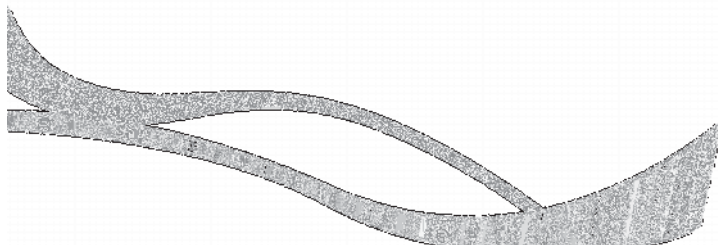




# NA - G7X

Underwater Camera Housing  
Instruction manual



# Foreword

Thank you for your purchase of a NAUTICAM camera housing.

At NAUTICAM, we pride ourselves in the ability to recognise the requirements of professional as well as amateur underwater photographers and fulfill them through the innovative designs of our products. We strive to achieve a high level of user-friendliness by allowing stress-free installation and easy operation of all important functions of the camera.

Each housing is individually inspected and water pressure tested to ensure optimum quality.

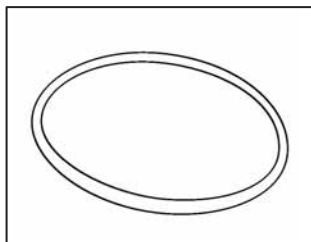
Please read this manual carefully before using the housing, this will maximise its performance as well as its lifetime.

# Warranty

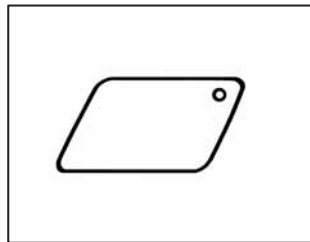
1. All NAUTICAM Products are warranted against any material and manufacturing defects for one year from the date of purchase for consumer use. Please fill in the warranty cards shipped with our housings and viewfinders at the time of sale and return them to your point of purchase within a month. If we do not receive the completed warranty card for a particular product, the warranty period would be assumed to begin from the day that the product is shipped from our facility. This warranty only applies to products purchased from authorised NAUTICAM dealers and does not extend beyond the original retail purchaser.
2. To return your product for service, please contact your regional authorized service centre(s). Please note that this warranty only applies when the product is purchased in the territory where the service centre is located.
3. NAUTICAM accepts no liability for any damage to and defects in the housing caused by improper use and/or poor maintenance; it is the responsibility of the owner to carefully follow the instructions in our manuals.
4. NAUTICAM does not hold responsibility for damage, of any nature, to any equipment used with and/or placed within our products.
5. NAUTICAM accepts no liability for any loss of captured images or the inability to capture images even if it is due to the malfunctioning of our products.
6. Unauthorised modifications and/or repairs of our products will automatically invalidate the warranty.

# Package Contents

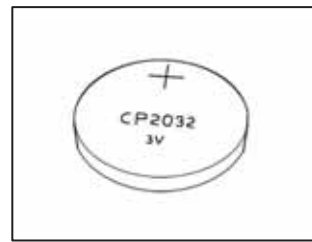
1. NA-G7X housing
2. Instruction manual
3. Spare silicone rubber housing o-ring
4. O-ring remover
5. CR2032 battery (for moisture alarm)
6. Lubricant
7. Set of Allen keys



Spare silicone rubber o-ring



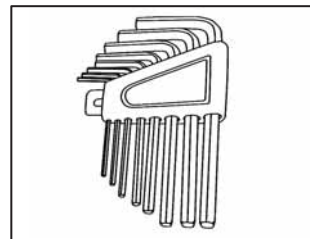
O-ring remover



CR2032 battery



Lubricant



Set of Allen keys

# Precautions

1. A water-tight test without the camera inside the housing is highly recommended when using the system for the first time and after the changing of port and O-ring(s).
2. Do not use lubricants from other brands with the silicone rubber O-ring on this housing, only use the lubricant provided by NAUTICAM.
3. Discontinue use immediately should you notice any leakage.
4. Store the housing in a robust, shock-proof container during transportation; avoid transporting with any equipment, such as a camera, inside the housing.
5. When travelling by air, do not close the housing if the port is installed, as this may lead to a pressure difference between the atmosphere and inside the housing.
6. Care must be taken when opening the housing, as pressure may build up inside the housing which increases the opening force.
7. Do not open the product in a wet or sandy environment. Protect the interior from moisture and debris in order to prevent malfunction or leakage.
8. Do not store the product in an environment of high humidity.
9. Do not leave the housing and the camera in direct sunlight for prolonged periods.
10. Keep out of reach of children, failure to do so could result in injury.
11. Defective products should be shipped to our distributors for service, unauthorized disassembling and/or modifications could result in malfunction or leakage.

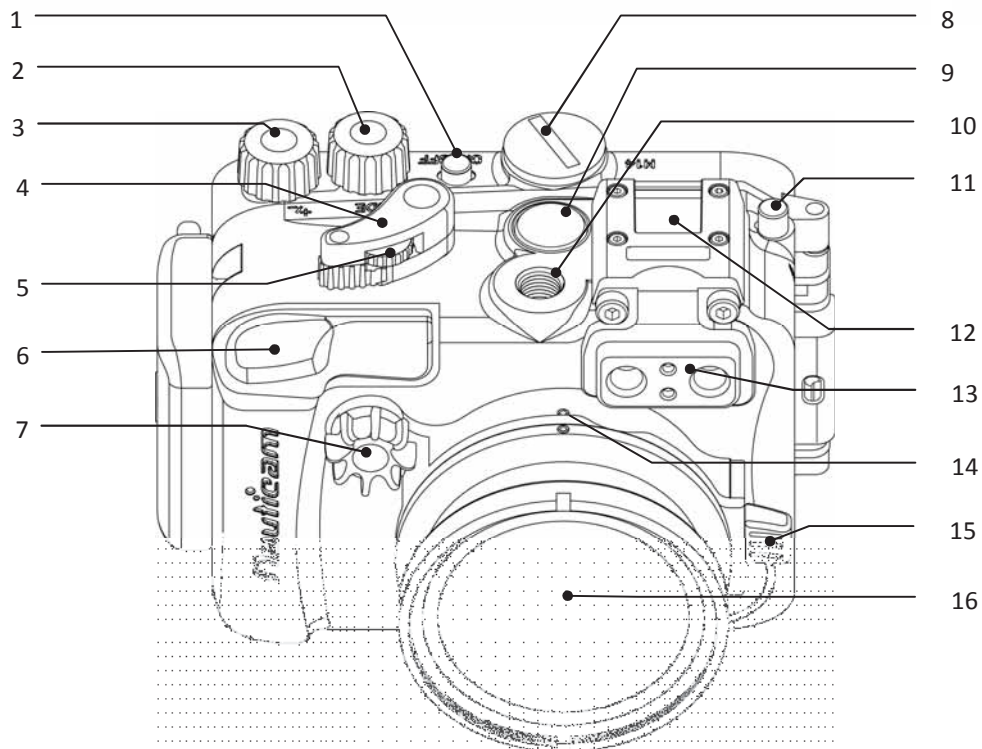
# Table of Contents

<i>Specifications</i>	6
<i>Identification of Parts</i>	7
<i>Opening and Locking the Housing</i>	9
<i>Preparation of the Housing</i>	10
<i>Installing the Camera</i>	13
<i>Changing the Port</i>	14
<i>Care and Maintenance</i>	16
<i>Optional Accessories</i>	17

# Specifications

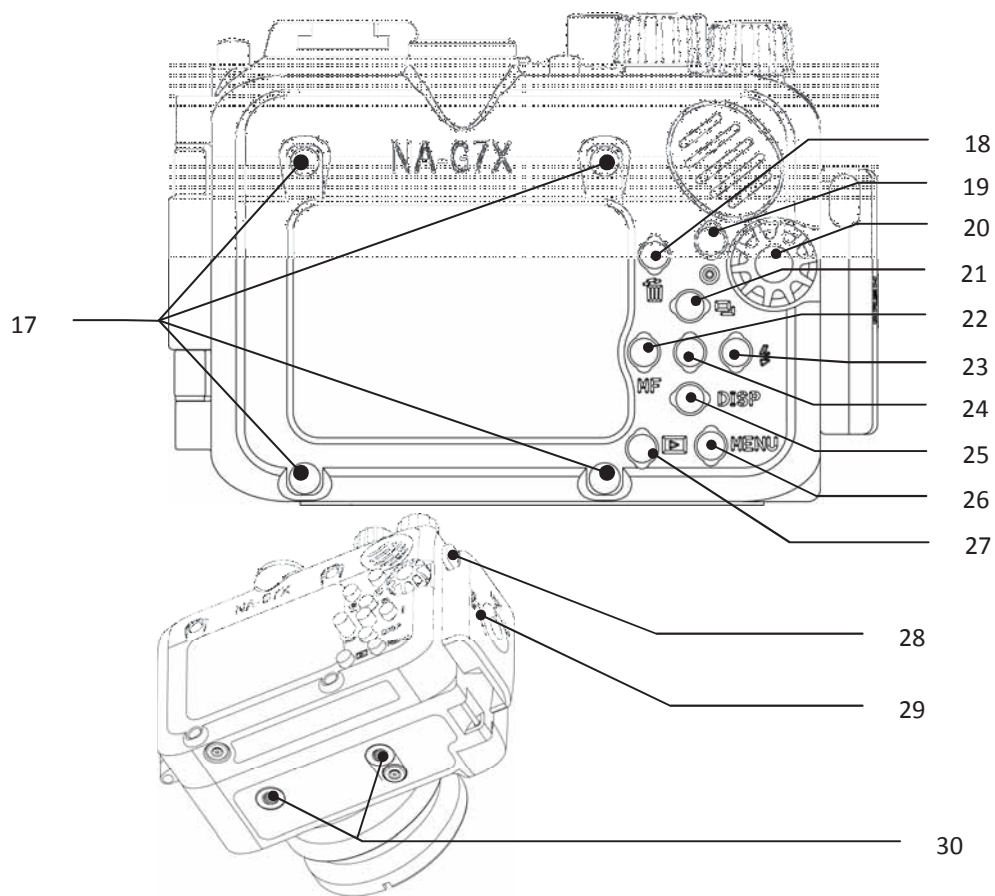
Construction	Housing body:	Aluminium alloy
	Surface treatment:	Hard anodised
	Display window:	Abrasion resistant polycarbonate
Dimensions	Width:	146mm
	Height:	101mm
	Depth:	109mm
Weight	Approx. 0.88kg (without camera)	
Buoyancy	Slightly negative	
Depth rating	100 metres	
Features	Moisture alarm:	Blinking LED and audible alarm
	TTL capability:	Optical fibre mount included for external strobes connection, utilising the camera's pop-up flash as trigger.
	Front and rear dials:	Easily reached by forefinger or thumb.
	67mm thread on the port:	Positioned precisely for maximum wide-angle lens performance.
	Interchangeable port system:	Optional ports for different purposes.

# Identification of Parts



1	On/Off button	9	Moisture alarm window
2	Mode dial	10	M10 strobe mounting base
3	Exposure compensation dial	11	Flash up lever
4	Zoom lever	12	Accessory coldshoe
5	Zoom lever lock	13	Optical fibre mount
6	Shutter release lever	14	Port alignment index
7	Front control wheel	15	Port lock safety button
8	M14 accessory port	16	Standard flat port with 67mm thread



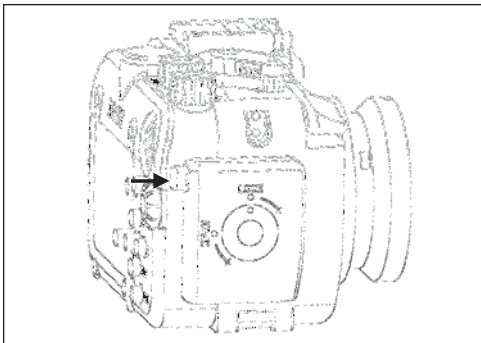


17	Mounting holes for LCD Magnifier attachment rails	24	FUNC./SET button
18	Ring function selector/ erase button	25	Display/ Down button
19	Movie button	26	Menu button
20	Rear control wheel	27	Playback button
21	Drive mode/ Wi-Fi/ Up button	28	Housing lock safety button
22	Macro/ MF/ Left button	29	Housing lock
23	Flash/ Right button	30	1/4"-20UNC tripod socket x 2*

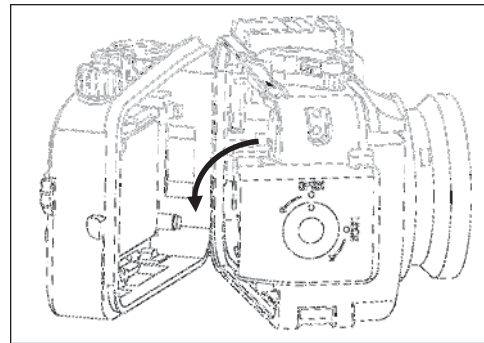
\* The maximum length of screws that can be used with the tripod sockets is 4mm

# Opening and locking the housing

To open the housing:

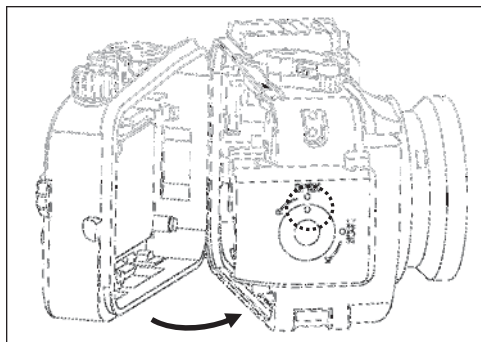


1. Press the housing lock safety button.

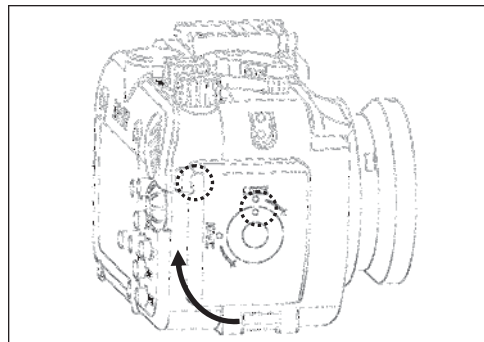


2. Turn the housing lock anti-clockwise for 270°, until the lock reaches the “Open” position as shown.

To lock the housing:



3. Close the housing while the housing lock is in the “Open” position.

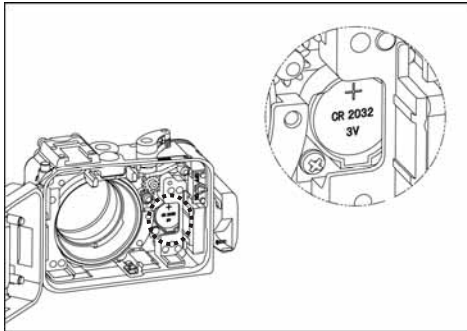


4. Turn the housing lock clockwise for 270°, until the lock reaches the “lock” position as shown. Confirm that the white indicator line on the safety button is visible.

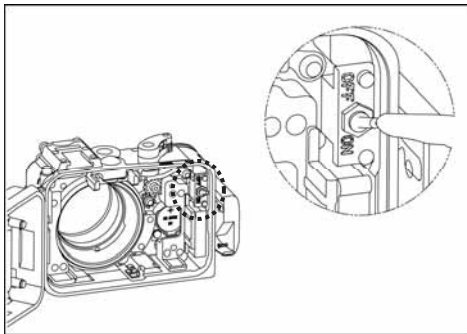
# Preparation of the Housing

1. After verifying that the housing O-ring is in good condition, lightly coat it with the lubricant provided.
2. Make sure the O-ring groove located in the rear part of the housing is free from any foreign material; the groove can be cleaned with the aid of a microfiber cloth.
3. Place the O-ring into the groove.

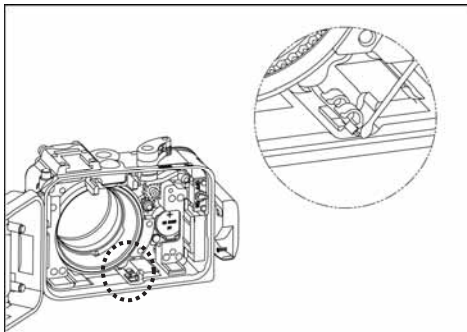
#### 4. Setting up the moisture alarm:



1. Install the CR2032 battery provided into the battery compartment on the circuit board inside the front part of the housing.

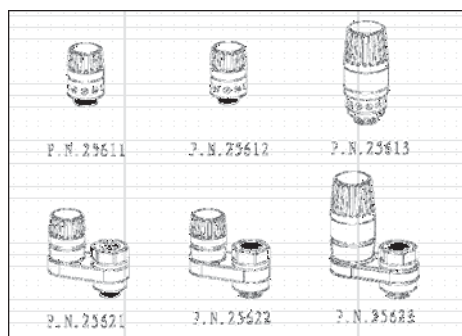


2. Switch the alarm on. The LED light will turn blue for five seconds indicating the battery is normal. Then it goes into flashing blue light standby mode.



3. Test the alarm by contacting the two wires near the bottom of the housing with a damped cotton bud; the alarm should start giving out a repeating “beep” sound along with a flashing red light. The “beep” sound and the light should keep on going for 5 seconds after the removal of the damped cotton bud.

(Optional) Vacuum valve can be attached to the housing via one of the accessory port for conducting a vacuum seal test. Please refer to the manual of the vacuum valve for more details of the operation.



LED status identification:

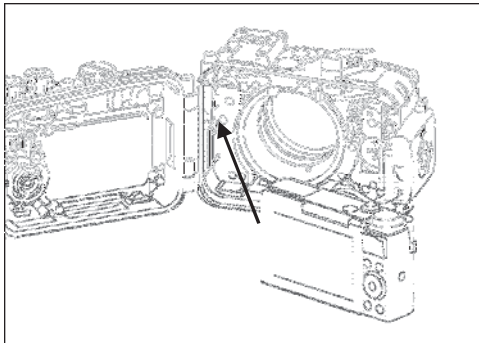
On start up:

<b>LED indicator</b>	<b>Status</b>
Steady "Blue" light	Battery is normal, goes into flashing "Blue" light standby mode after 5 seconds.
"Blue" and "Red" lights alternating	Battery low. Replace battery as soon as possible. Goes into standby mode after 5 seconds.
Steady "Red" light	Battery empty, replace battery.

After start up:

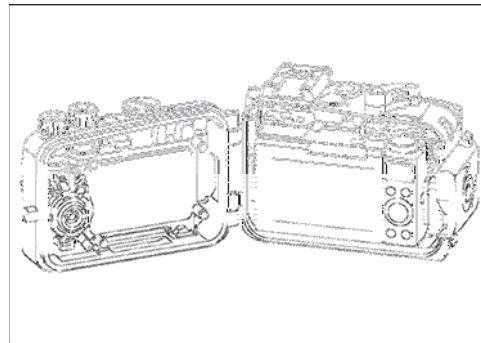
<b>LED indicator</b>	<b>Status</b>
Flashing "Blue" light	Standby mode. The moisture alarm is active, and the system is ready for vacuum indication whenever a vacuum is detected.
Flashing "Red" light with audio sounds.	Moisture is detected.
Flashing "Yellow" light	Some vacuum is detected, target vacuum level is not reached.
Steady "Green" light	Target vacuum level is reached.
Rapidly flash "Yellow" light	Vacuum is dropping. (Will occur only after target vacuum level is reached)
Rapidly flashing "Red" light	Vacuum is totally lost. Circuit stalled until switched off. (Will occur only after target vacuum level is reached)

# Installing the Camera



1. Place the camera inside the housing as shown.

Note that the camera should be inserted from the left first to avoid interfere with the strap mount and housing.



2. Confirm that all the controls of the housing are correctly engaged.

# Changing the Port

Two optional ports are available for different styles of photography.

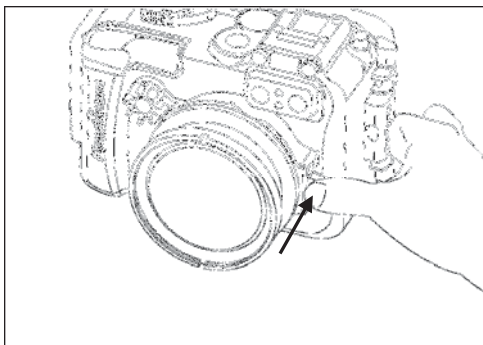
**-38701 N50 Short Port** with M67 thread for Wet Wide Angle Lenses (widest focal length only)

A shorter port with a 67mm thread to mount wet wide angle lenses. Workable focal length: 24-50mm.

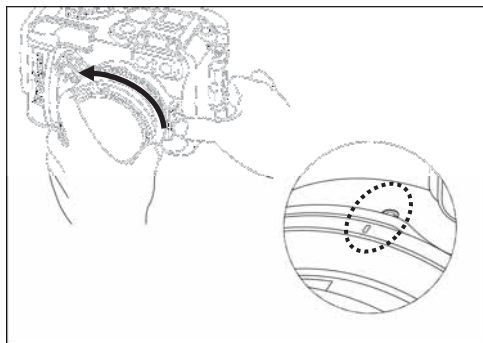
**-38702 N50 3.5" Acrylic Dome Port**

An acrylic dome port that restore the lens field of view underwater.

To remove port:

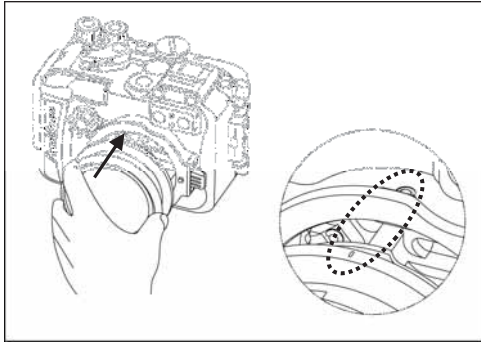


1. Press and hold the red port lock safety button to un-lock.

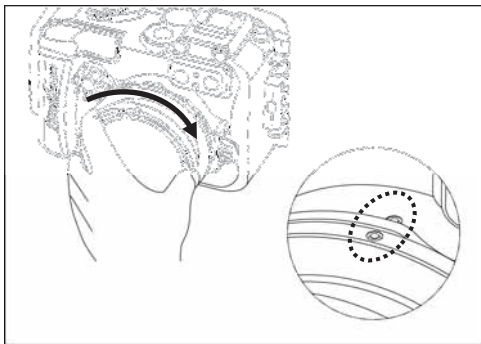


2. While holding the red port lock safety button, turn the port anti-clockwise until the "I" mark on the port aligns with the "o" mark on the housing. Then gently pull the port out.

To mount port:



3. Align the "I" mark on the port with the "o" mark on the housing.
4. Gently push the port towards the housing until it cannot go any further.



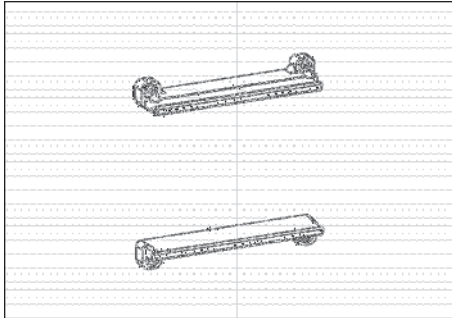
5. Turn the port clockwise until the "o" mark on the port aligns with the "o" mark on the housing.



# Care and Maintenance

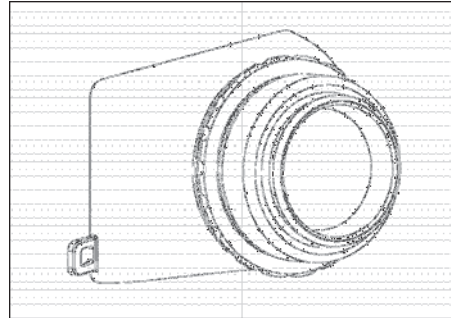
1. Soak the housing system in fresh water after each salt water use, during which all control buttons/knobs should be operated a few times to avoid the accumulation of salt residue; wipe the housing with a towel before opening.
2. After each day of diving, it is advisable to have the main O-ring in the rear part of the housing removed from its groove with the O-ring remover and inspected for damage. Also check that the O-ring retains its original circular shape; never stretch the O-ring excessively or remove it with a sharp object. The O-ring groove should be cleaned to ensure it is free from any salt deposit or foreign material; lightly coat the O-ring with the provided lubricant before reinstalling it in the groove. A damaged O-ring should be discarded immediately and replaced only with one that is provided by NAUTICAM.
3. Replace the main O-ring annually.
4. It is recommended that you ship the housing to our distributor for a complete overhaul every year or after every 200 dives.

# Optional Accessories



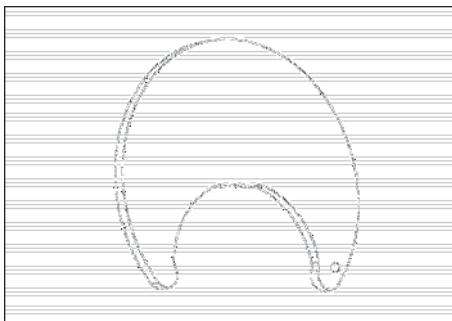
P.N. 25123

LCD Magnifier Attachment Rails  
for NA-S110/S120/TG3/G7X



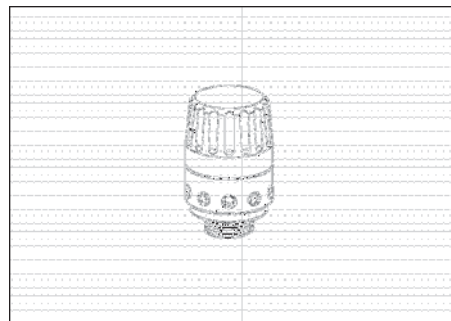
P.N. 25106

LCD Magnifier with Dioptic  
Adjustment



P.N. 38022

Diffuser for NA-G7X Housing



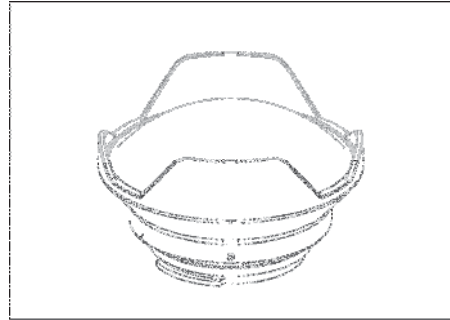
P.N. 25611

M14 Vacuum Valve



P.N. 38701

N50 Short Port with M67 thread  
for Wet Wide Angle Lenses  
(widest focal length only)




P.N. 38702

N50 3.5" Acrylic Dome Port

**NAUTICAM International Limited**  
**Room 2203,**  
**CCT Telecom Building,**  
**11 Wo Shing Street,**  
**Fotan, HONG KONG**

**Email: [enquiry@nauticam.com](mailto:enquiry@nauticam.com)**  
**Tel: +852 2690 2711**  
**Fax: +852 2690 9778**

A decorative graphic consisting of several overlapping, wavy, light blue lines that sweep across the bottom left corner of the page.